
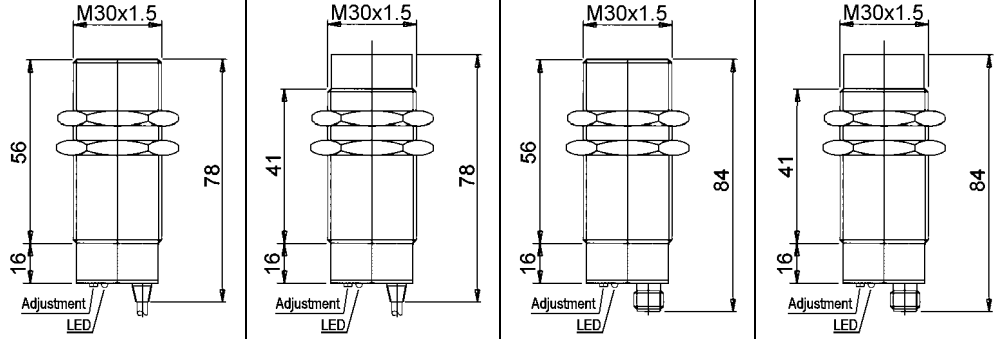


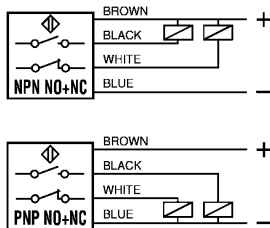
30 mm Diameter DC 4 Wire

FEATURES:

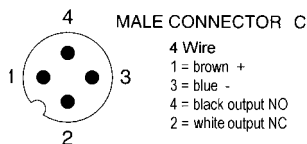
- Short circuit & reverse polarity protection
- Protection degree IP67: dust tight and protection from the effects of immersion
- LED function indicator
- 5 and 10 meter cable lengths available upon request

		MODEL			
Output Function	NPN, NO+NC	S5100	S5122	S5110	S5132
	PNP, NO+NC	S5101	S5123	S5111	S5133
Dimensions: mm 1" = 25.4 mm 1 mm = .03937" 					
Operating Distance (Sn)		0-20 mm (Adjustable)	0-25 mm (Adjustable)	0-20 mm (Adjustable)	0-25 mm (Adjustable)
External Diameter		M30 x 1.5			
Power Supply		10 – 60Vdc			
Max Switching Current		200 mA			
Power Drain (24Vdc)		≤ 10 mA			
Voltage Drop (sensor ON)		< 1.8 V			
Short Circuit Protection		Yes			
Operating Frequency		10 Hz			
Repeatability (%Sn)		<10%			
Hysteresis (%Sn)		Depends on (Sn), ≤ 20%			
Case		Nickel-plated brass	Plastic	Nickel-plated brass	Plastic
Flush Mounting		Yes	No	Yes	No
Protection Degree		IP 67			
Operating Temperature		- 20 to +70 °C			
Output Connection		Cable PVC: L = 3 m		Connector C	
Protective Housing Model			S5913		S5913

WIRING:



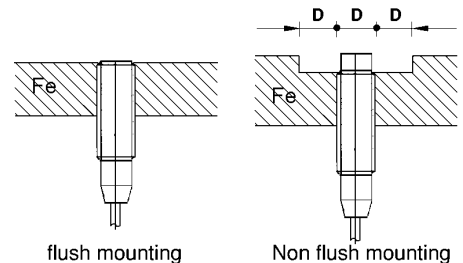
CONNECTOR:



MATING CONNECTORS:

- | | | |
|-----------|------------------------------|-----------------|
| ID# | Type | Description |
| 4 wire | | |
| S3496/2 C | right angle w/ 2 meter cable | |
| S3496 C | right angle w/ 5 meter cable | |
| S3499/2 C | straight w/ 2 meter cable | |
| S3499 C | straight w/ 5 meter cable | |
| 030502C | right angle, terminal screws | field wire-able |
| 030503C | straight, terminal screws | field wire-able |

MOUNTING:



Capacitive

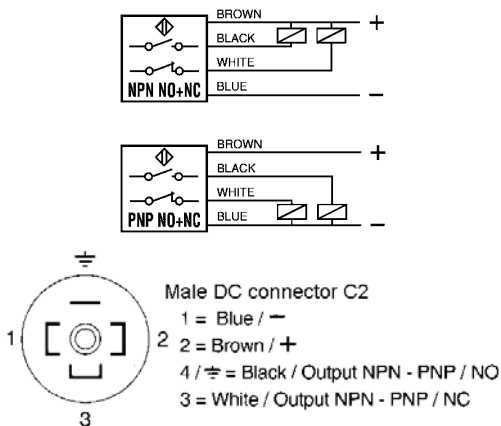
30 mm Diameter DC 4 Wire

FEATURES:

- Short circuit & reverse polarity protection
- Protection degree IP67: dust tight and protection from the effects of immersion
- LED function indicator
- Field wire-able connector included

		MODEL		
Output Function	NPN, NO+NC	S5114	S5116	S5134
	PNP, NO+NC	S5115	S5117	S5135
Dimensions: mm 1" = 25.4 mm 1 mm = .03937"				
Operating Distance (Sn)		0-20 mm (Adjustable)	0-25 mm (Adjustable)	0-25 mm (Adjustable)
External Diameter		M30 x 1.5		
Power Supply		10 - 55Vdc		
Max Switching Current		300 mA		
Power Drain (24Vdc)		≤ 10 mA		
Voltage Drop (sensor ON)		< 1.8 V		
Short Circuit Protection		Yes		
Operating Frequency		10 Hz		
Repeatability (%Sn)		<10%		
Hysteresis (%Sn)		Depends on (Sn), ≤ 20%		
Case		Nickel-plated brass		Plastic
Flush Mounting		Yes	No	No
Protection Degree		IP 65		
Operating Temperature		- 20 to +70 °C		
Output Connection		Connector included		
Protective Housing Model				S5912

WIRING:



MOUNTING:

